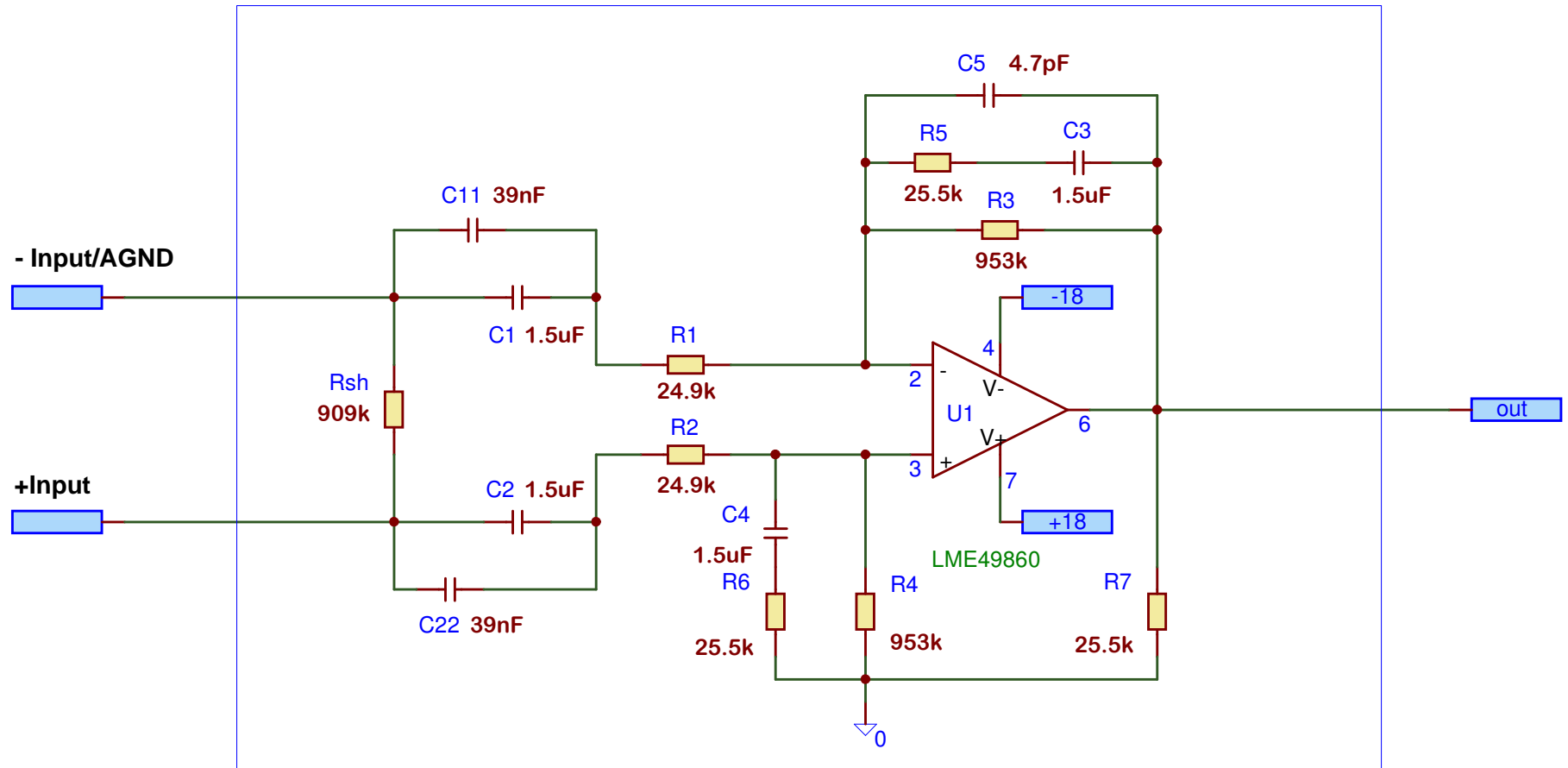


Audio analog compensated input. Ultralinear Hi-Fi Balanced preamplifier scheme. Gain=1 (0.0dB). R input = 47kOhms.



R_input scheme = 50 kOhm; Gain = 0dB.
Rz_input = R_input scheme || Rsh = 47 kOhm;

C1-C4 EPCOS-1.5uF METAL-POLY. #B32522C155J
C11,C22 VISHAY-39nF METAL-POLY. #2222 416 43903
R3,R4 YAGEO.RES 953K OHM 1/4W 1% METAL FILM. #MFR-25FBB-953K
R1,R2 VISHAY-RES 24.9K OHM 1% 50PPM 1/4W #CMF5024K900FHEB
R3,R4 VISHAY-RES 25.5K OHM 1% 50PPM 1/4W#CMF5025K500FHEB